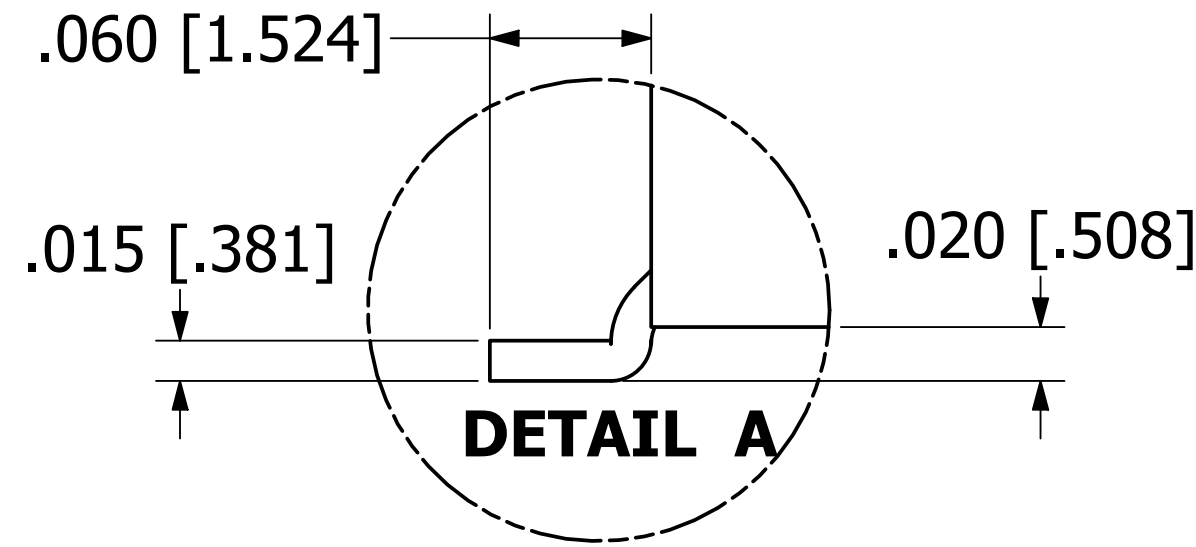
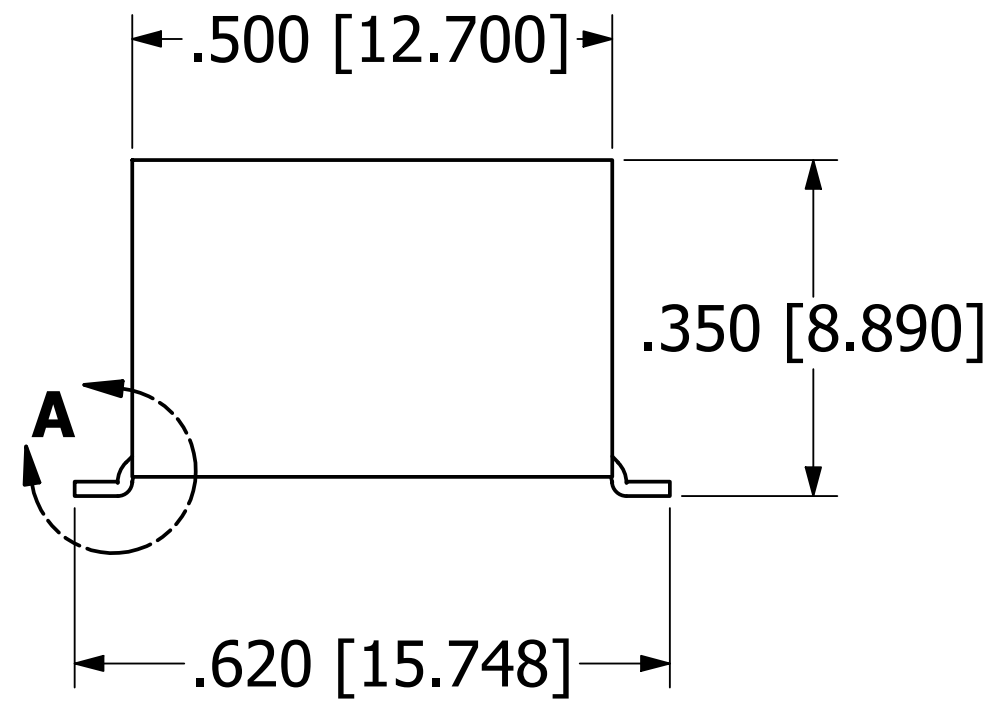
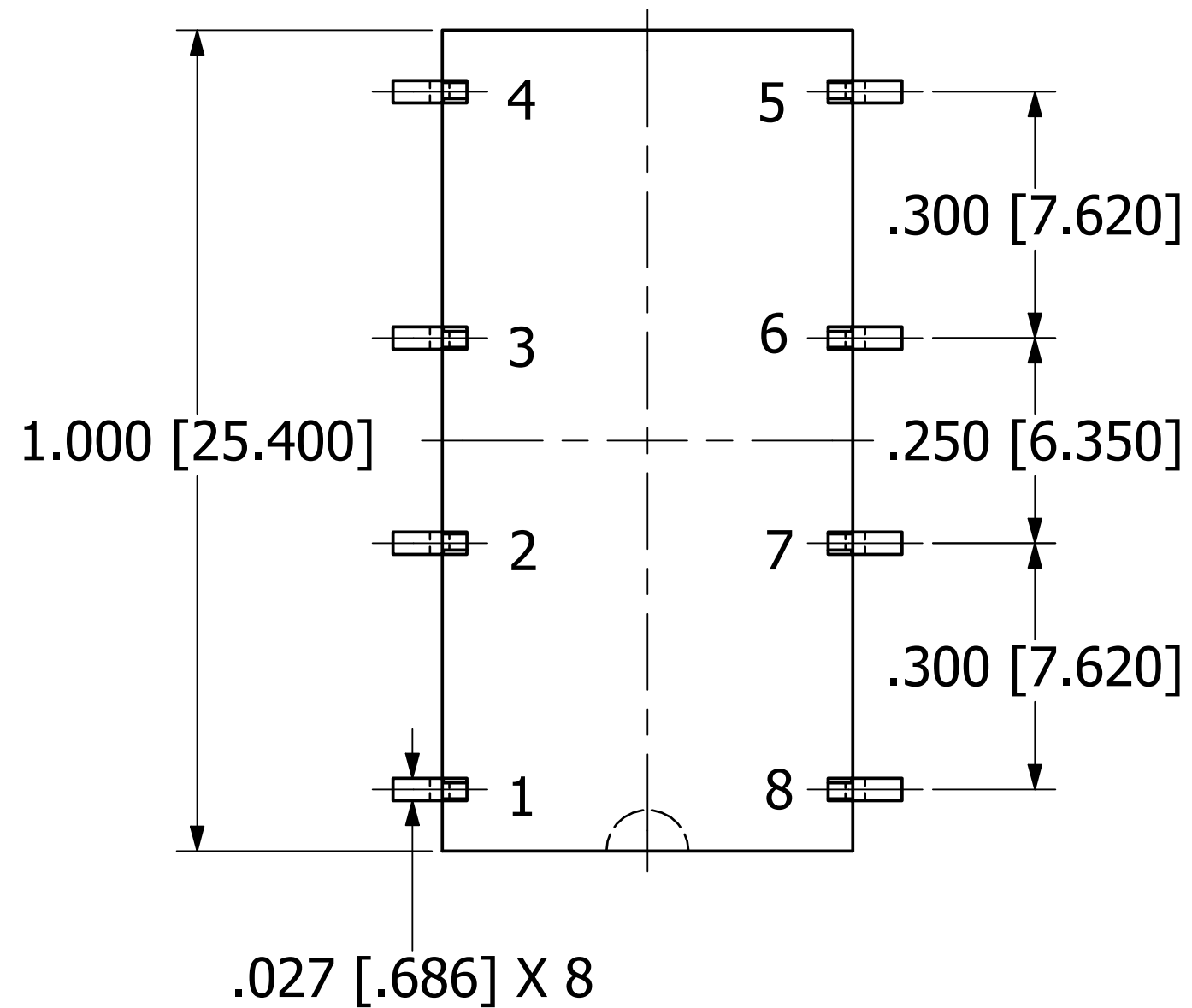


NOTES

a. ALL DIMENSIONS ARE IN INCHES, [] = MM



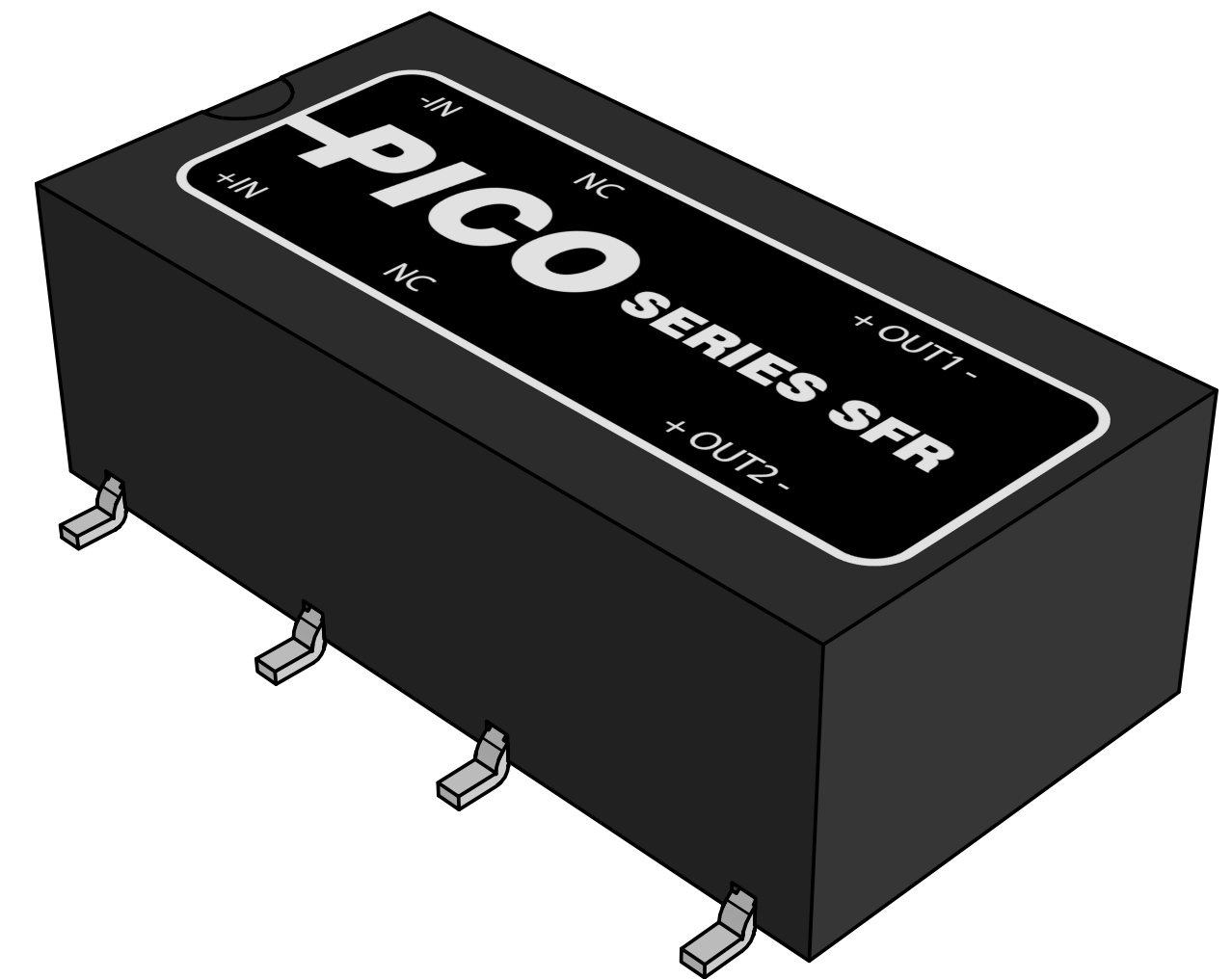
PIN NO.	SINGLE
1	+IN
2	NC
3	+OUT2
4	-OUT2
5	-OUT1
6	+OUT1
7	NC
8	-IN



BOTTOM VIEW

PROPRIETARY AND CONFIDENTIAL

THE INFORMATION CONTAINED IN THIS DRAWING IS THE SOLE PROPERTY OF PICO ELECTRONICS INC. ANY REPRODUCTION IN PART OR AS A WHOLE WITHOUT THE WRITTEN PERMISSION OF PICO ELECTRONICS INC. IS PROHIBITED



DRAWN	P.PALUCH	PICO Electronics	143 Sparks Ave Village of Pelham, NY 10803	
CHECKED	H. VIDAURRE			
QA		SERIES SFR - DUAL		
MFG				
APPROVED		SIZE	DWG NO	REV
REVISION DATE	06/06/2023	C		3
		SCALE	NTS	www.picoelectronics.com